



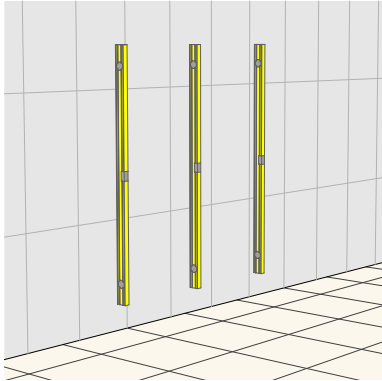
INSTALLATION GUIDE
CARE AND CLEANING
WARRANTY



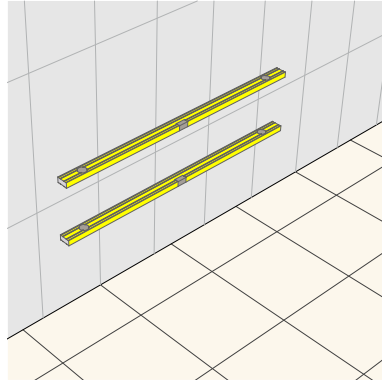
ENSURE YOUR WALL IS FLAT AND PLUMB

Before starting, check that your wall is plumb and flat. If it isn't you will need to pack out the vanity otherwise the drawers and doors will not function properly and will be out of alignment.

1



Ensure wall is plumb



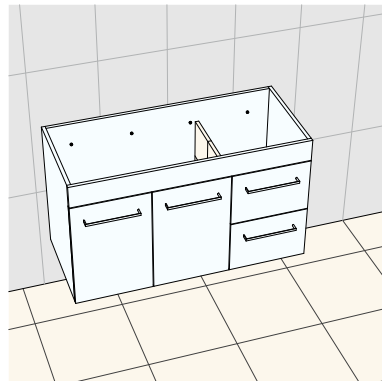
Ensure wall is flat
(No gaps between wall and level)

FIX YOUR VANITY MAKING SURE IT IS LEVEL AND PLUMB

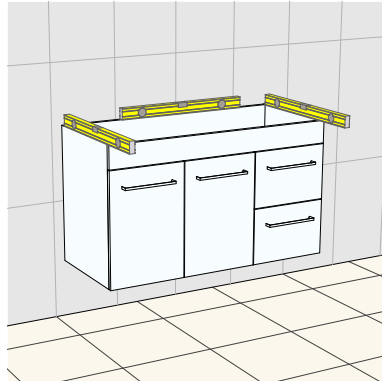
Fix your vanity using screws through the solid back of the cabinet. The screws should be suited to the stud material and have a pan or counter sunk head. Provide a horizontal row of screws within 100mm vertically from the top of the cabinet at a maximum of 300mm horizontal spacing. The screws closest to the left and right edge of the cabinet should be within 100mm of each side.

Ensure that the cabinet is level and plumb in all directions. If not remove the cabinet and pack or straighten the wall accordingly. Don't install the top until you are sure that the vanity is plumb and level in all directions.

2



Fix as noted above



Check cabinet is level and plumb

3

ADJUST THE DOORS AND DRAWERS

After installation every cabinet will need some adjustment as the doors and drawers move during transport and installation. Refer to the instructions overleaf.

4

FIT THE TOP

Fit the top using a thin bead of silicone.

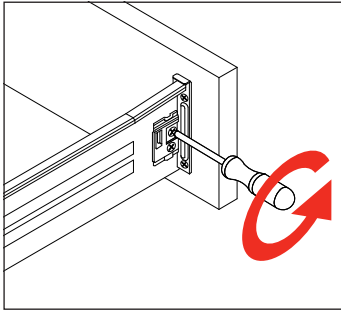
?

SOMETHING NOT QUITE RIGHT?

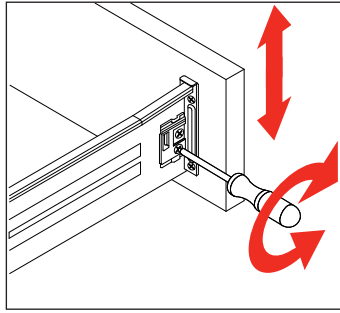
If you have a problem - and have carefully checked all the steps above to ensure it has been done right - give us a call. We'll be glad to help. To make it easy for us, please email some photos of the problem. Including photos of the levels as shown at step 1 and 2 above.

ADJUSTMENT OF STANDARD STEEL DRAWERS

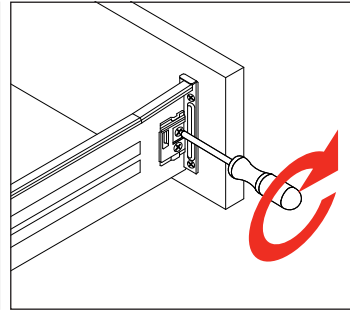
To adjust the drawer front UP or DOWN



Loosen the centre screw

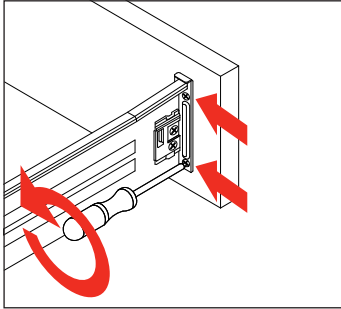


Turn the bottom screw to move the drawer front UP or DOWN

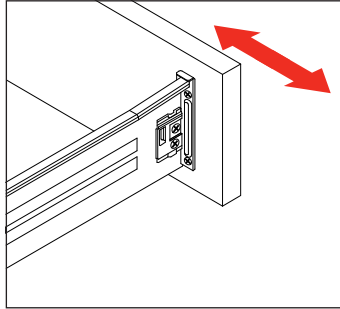


Tighten the centre screw

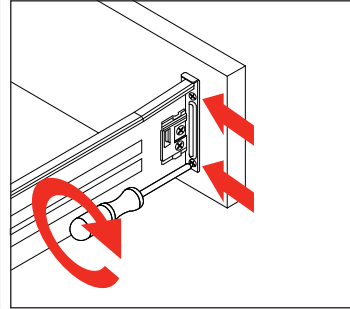
To adjust the drawer front LEFT or RIGHT



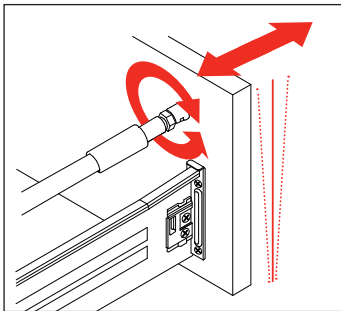
Loosen two drawer front screws



Slide drawer front LEFT or RIGHT



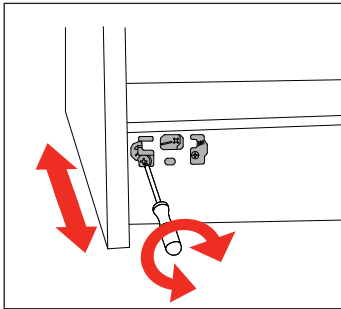
Tighten two drawer front screws



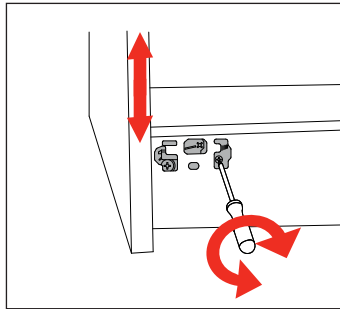
To adjust angle of tall drawer fronts with gallery rails, slide cover back and adjust plastic nut.

ADJUSTMENT OF FULL EXTENSION SOFT CLOSE DRAWERS

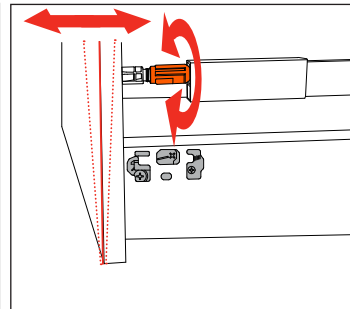
Remove BLUM cap to access adjusting screws.



Use the front screw for LEFT/RIGHT Do this to both left and right side.

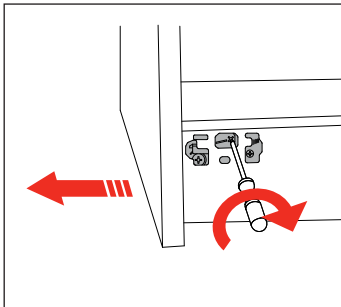


Use the back screws for UP/DOWN



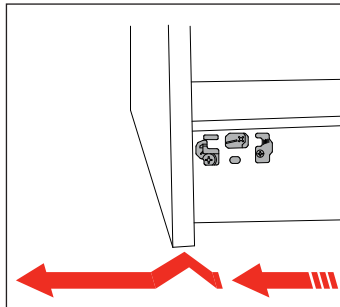
To adjust angle of tall drawer fronts with gallery rails, slide cover back and adjust orange nut.

To Remove Drawer Front



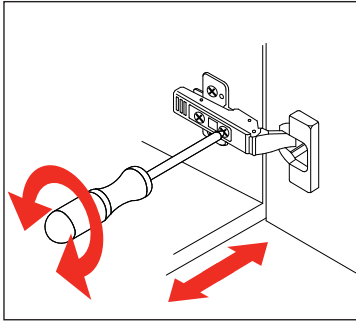
Turn centre screw. Pull drawer front forwards. NOTE: Wide drawers also have screws under the drawer base that need a 1/4 turn to loosen.

To Remove Entire Drawer

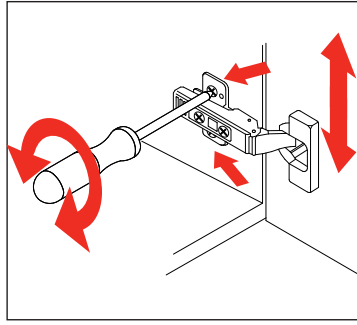


Open fully then lift slightly and continue pulling further

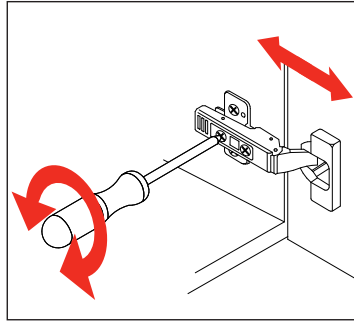
ADJUSTMENT OF DOOR HINGES



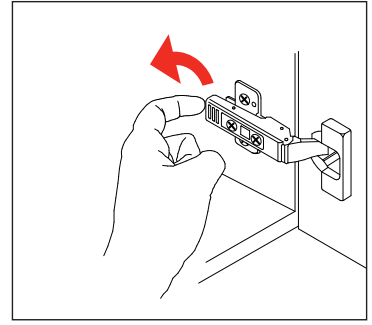
Use the front screw for LEFT/RIGHT adjustment



Loosen two bracket screws to slide door UP/DOWN. Tighten screws.



Use the back screw for IN/OUT adjustment



To remove door (if required) pull the clip at the back of each hinge.

WARRANTY

Timberline Bathroom Products ensures that its products are manufactured using only high quality materials and workmanship. Should you find fault with either materials or workmanship within warranty period noted below, Timberline Bathroom Products will at its discretion, repair or, supply replacement for the faulty product or component.

Warranty Periods:

All Cabinets:	10 years	Stone/Solid Surface Tops:	10 years	Ceramic Tops/Bowls:	5 years
Acrylic tops:	10 years	Sculptured Marble Tops:	5 years	Mirrors:	1 year

The Timberline Bathroom Products warranty will only apply where the product has been installed by qualified tradesmen and in full accordance with installation instructions. This warranty does not cover damage by improper installation, accident, misuse, abuse, negligence, excessive wear and tear, improper care and maintenance, water and natural causes such as sunlight, humidity and other environmental conditions. Adjustment of doors and drawers is undertaken during manufacture. After installation readjustment will be necessary, this does not form part of the warranty.

It should be noted that all cabinets are manufactured from water resistant materials. This does not mean that they are waterproof. Care must be taken to immediately dry any spillage or water leakage that may gain access to the cabinet as water damage is not a justifiable claim. Installation, cleaning and maintenance instructions must be followed to ensure validity of warranty.

Timberline Bathroom Products' liability is limited to repair, replacing, or giving a credit for the faulty goods, and it does not include installation expenses and/or damages. The purchaser must provide proof of purchase when making a claim.

Our goods come with guarantees that cannot be excluded under the Australian Consumer Law. You are entitled to a replacement or refund for a major failure and for compensation for any other reasonably foreseeable loss or damage. You are also entitled to have the goods repaired or replaced if the goods fail to be of acceptable quality and the failure does not amount to a major failure.

To make a claim please contact Timberline Bathroom Products on the phone number or email address below.

CARE AND CLEANING

For all surfaces use only a soft cloth and a weak solution of non-abrasive cleaner.

To keep your bathroom furniture looking sparkling bright and for minor scratches to acrylic or painted surfaces ask about our Timberline 3 Dimension Cleaners. They will keep your bathroom looking sparkling clean. They don't only clean, they leave a silky smooth polished finish. Ask you nearest Timberline dealer now!

To keep mirrors from 'black-spotting' regularly oil any exposed edges. Do not use any acid or alkaline based cleaners. A moist micro fibre cloth will give you best results.



3 Dimension Cleaner and Polish suitable for nearly all bathroom surfaces



3 Dimension Streak Free glass and mirror polish for lasting shine.

WARRANTY RECORD (Home owner to keep)

Home Owner: Purchase Date: Receipt No:

Address: Purchased From: